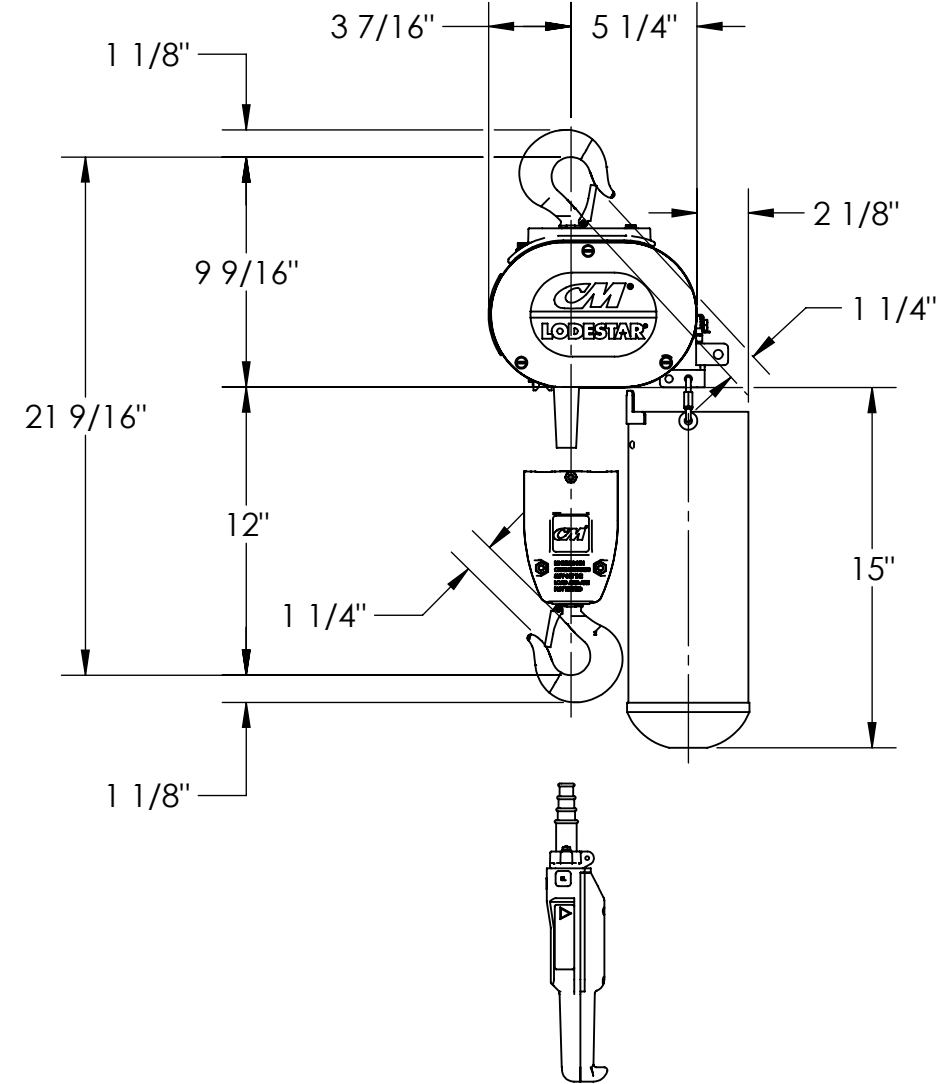
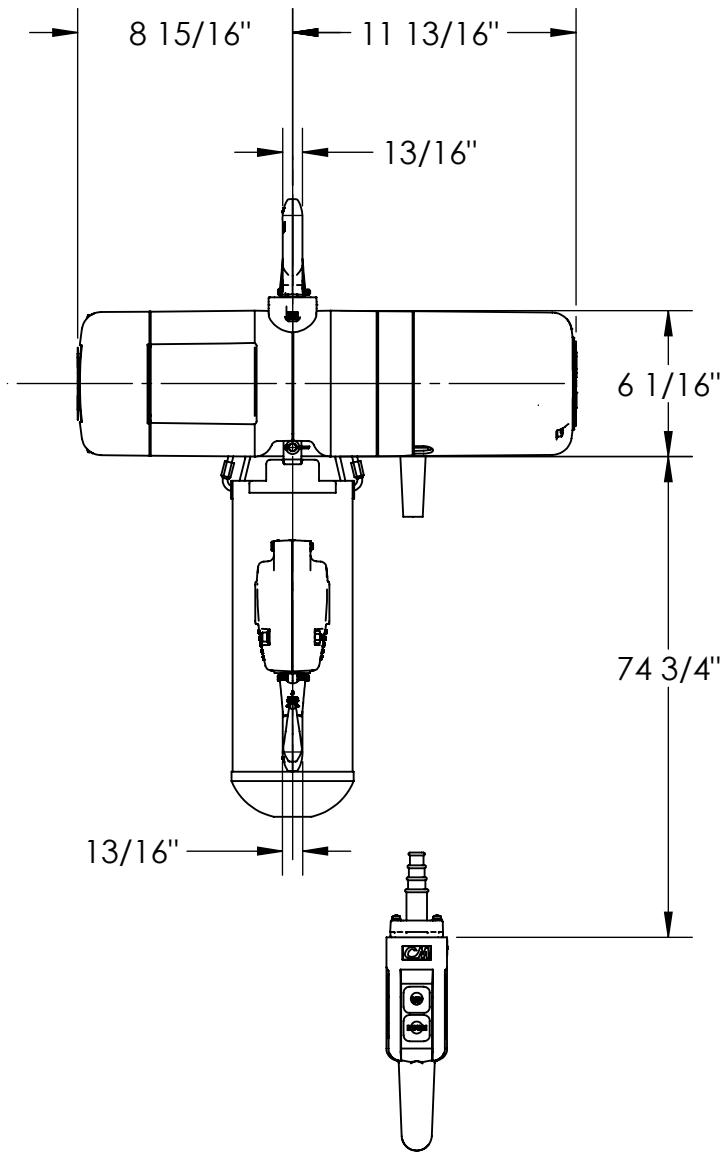


NOTICE TO PERSONS RECEIVING THIS DRAWING AND/OR TECHNICAL INFORMATION
 Columbus McKinnon Corporation (CMCO) claims proprietary rights in the material disclosed herein. This drawing and/or technical information is issued in confidence and is intended for use only by the recipient. It is not to be reproduced, distributed, or used in any way without the prior written permission of CMCO. This drawing and/or technical information is loaned for mutual assistance and is subject to recall by CMCO at any time. This drawing and/or technical information is the property of CMCO.

-	-	-	11/29/2011	-
15323	01		11/29/2011	TACD
-	-	-	-	-
ECN	Rev.	Description of change	Date	By

Standard Dimensional Tolerances Unless Otherwise Specified		Dimensional Units INCH	
	0" to 60"	Over 60"	
.X	± .020	± .025	Third Angle Projection
.XX	± .010	± .015	
.XXX	± .005	± .010	
Ang	± 0°30'	± 0°30'	
Material:			
Standard:			
Material No:			
Modeled:	11/11/2010	TACD	
Drawn:	11/11/2010	TACD	
Approved:	11/11/2010	TACD	
Design Authority:	Damascus		
Original project:	Hoist PDE		
Original scale:	1:8		

Columbus McKinnon Corporation Hoist & Rigging - Americas Amherst, NY USA	
Description: V1 LODESTAR - SINGLE REEVED SWIVEL SUSPENSION	
Format	Number:
B	00001482
Sheet 1/1	



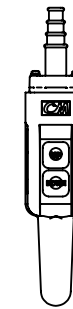
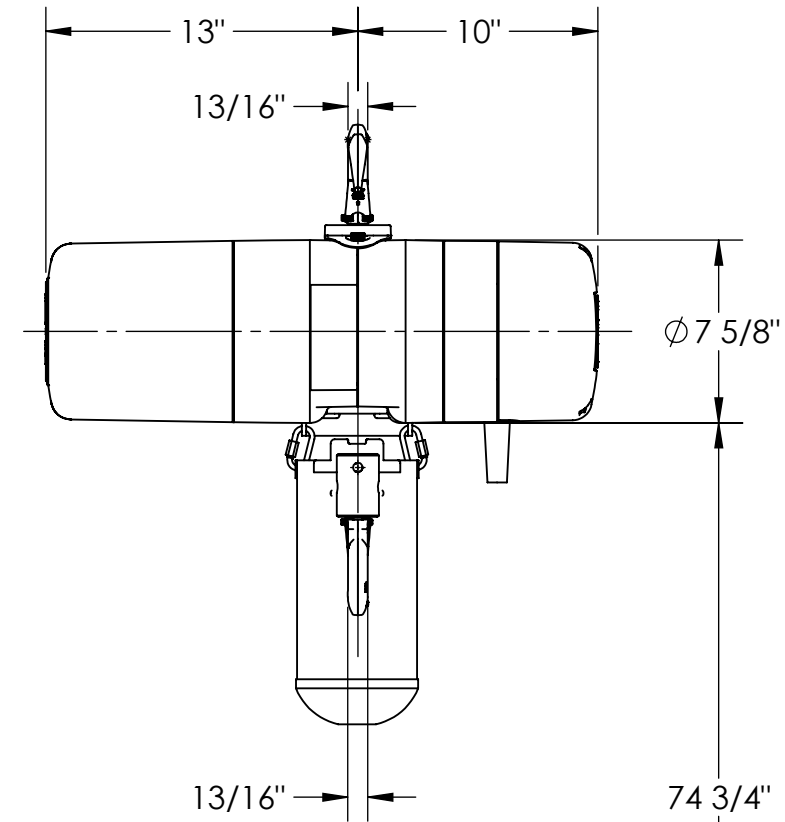
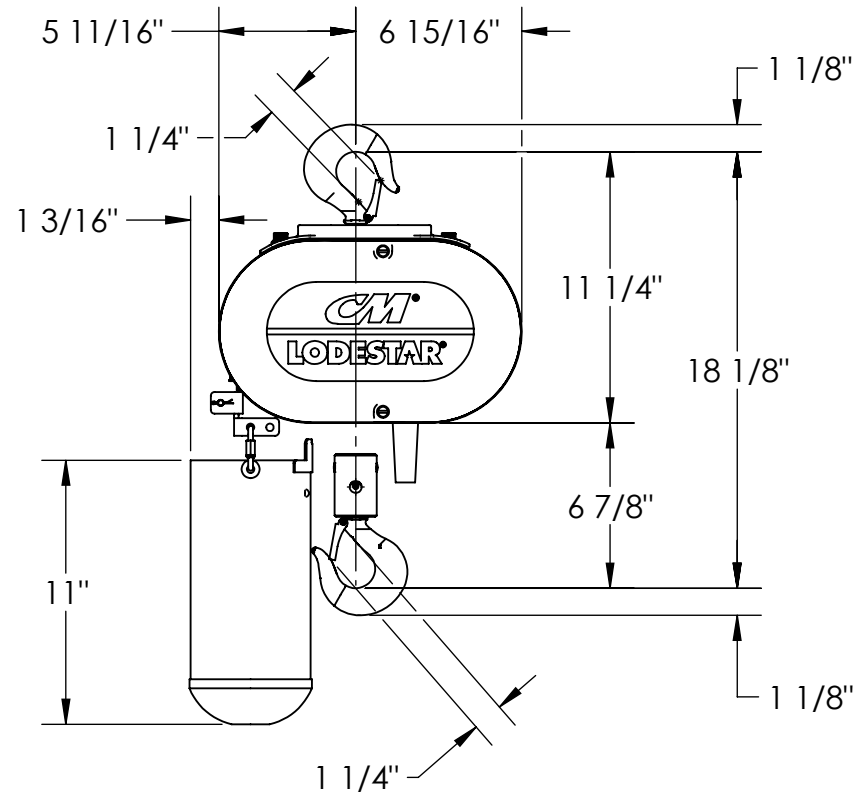
NOTICE TO PERSONS RECEIVING THIS DRAWING AND/OR TECHNICAL INFORMATION
 Columbus McKinnon Corporation (CMCO) claims proprietary rights in the material disclosed herein. This drawing and/or technical information is issued in confidence and is intended for use only by the recipient. It is not to be reproduced, copied, or used in any way without the express written permission of CMCO. This drawing and/or technical information is loaned for mutual assistance and is subject to recall by CMCO at any time. This drawing and/or technical information is the property of CMCO.

-	-	-	11/29/2011	-
15323	01		11/29/2011	TACD
-	-	-	-	-
ECN	Rev.	Description of change	Date	By

Standard Dimensional Tolerances Unless Otherwise Specified		Dimensional Units INCH	
	0" to 60"	Over 60"	
.X	± .020	± .025	Third Angle Projection
.XX	± .010	± .015	
.XXX	± .005	± .010	
Ang	± 0°30'	± 0°30'	
Material:			
Standard:			
Material No:			
Modeled:	11/11/2010	TACD	
Drawn:	11/11/2010	TACD	
Approved:	11/11/2010	TACD	
Design Authority:	Damascus		
Original project:	Hoist PDE		
Original scale:	1:8		

Columbus McKinnon Corporation Hoist & Rigging - Americas Amherst, NY USA	
Description: V1 LODESTAR - DOUBLE REEVED SWIVEL SUSPENSION	
Format	Number:
B	00001488
Sheet 1/1	

Columbus McKinnon Corporation
Amherst, NY USA



NOTICE TO PERSONS RECEIVING THIS DRAWING AND/OR TECHNICAL INFORMATION
 Columbus McKinnon Corporation (CMCO) claims proprietary rights in the material disclosed herein. This drawing and/or technical information is issued in confidence and is intended for use only by the recipient. It is not to be reproduced, stored in a retrieval system, or used to manufacture any part or product without the express written permission from CMCO to the user. This drawing and/or technical information is loaned for mutual assistance and is subject to recall by CMCO at any time. This drawing and/or technical information is the property of CMCO.

ECN	Rev.	Description of change	Date	By
-	-	-	11/29/2011	-
15323	01		11/29/2011	TACD
-	-	-	-	-

Standard Dimensional Tolerances Unless Otherwise Specified		Dimensional Units INCH	
	0° to 60°	Over 60°	
.X	± .020	± .025	 Third Angle Projection
.XX	± .010	± .015	
.XXX	± .005	± .010	
Ang	± 0°30'	± 0°30'	
Material:		10/29/2010 BCG	
Standard:		10/29/2010 BCG	
Material No:		10/29/2010 BCG	
Modeled:		10/29/2010 BCG	
Drawn:		10/29/2010 BCG	
Approved:		10/29/2010 BCG	
Design Authority:		Damascus	
Original project:		Hoist PDE	
Original scale:		1:8	

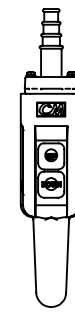
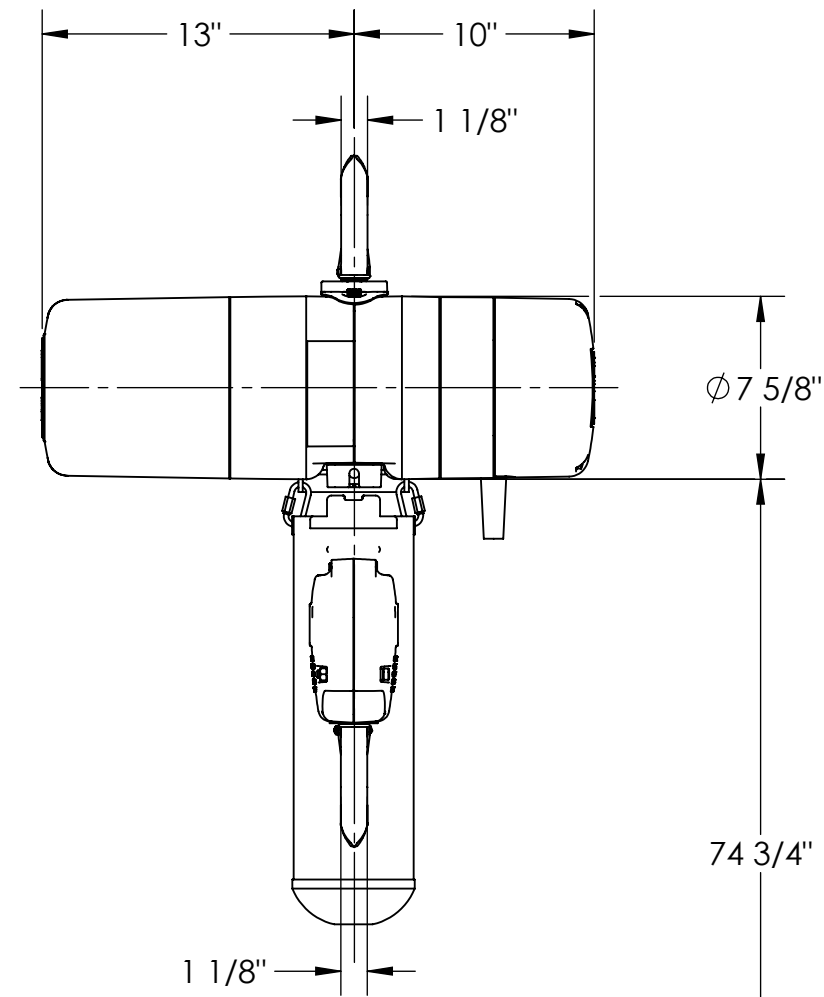
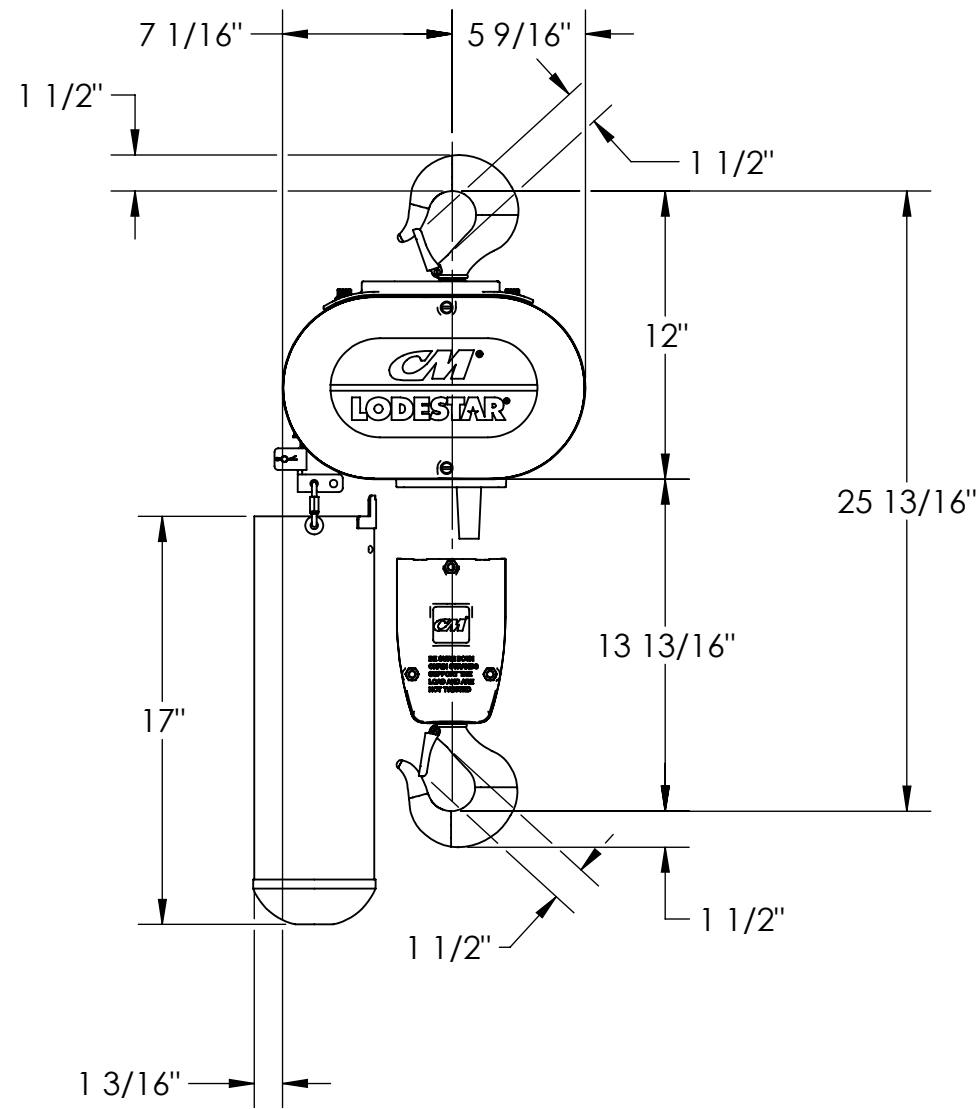


Columbus McKinnon Corporation
Hoist & Rigging - Americas
Amherst, NY USA

COLUMBUS MCKINNON CORPORATION

Description:		V2 LODESTAR - SINGLE REEVED SWIVEL SUSPENSION	
Format	Number:	B 00001465	
		Sheet 1/1	

Columbus McKinnon Corporation
Amherst, NY USA



74 3/4"

NOTICE TO PERSONS RECEIVING THIS DRAWING AND/OR TECHNICAL INFORMATION
 Columbus McKinnon Corporation (CMCO) claims proprietary rights in the material disclosed herein. This drawing and/or technical information is issued in confidence and is intended for use only by the recipient. It is not to be reproduced, distributed, or used to manufacture or assemble any part without the express written permission from CMCO to the user. This drawing and/or technical information is loaned for mutual assistance and is subject to recall by CMCO at any time. This drawing and/or technical information is the property of CMCO.

Standard Dimensional Tolerances Unless Otherwise Specified			Dimensional Units INCH	
	0" to 60"	Over 60"	Third Angle Projection	
.X	± .020	± .025		
.XX	± .010	± .015		
.XXX	± .005	± .010		
Ang	± 0°30'	± 0°30'		

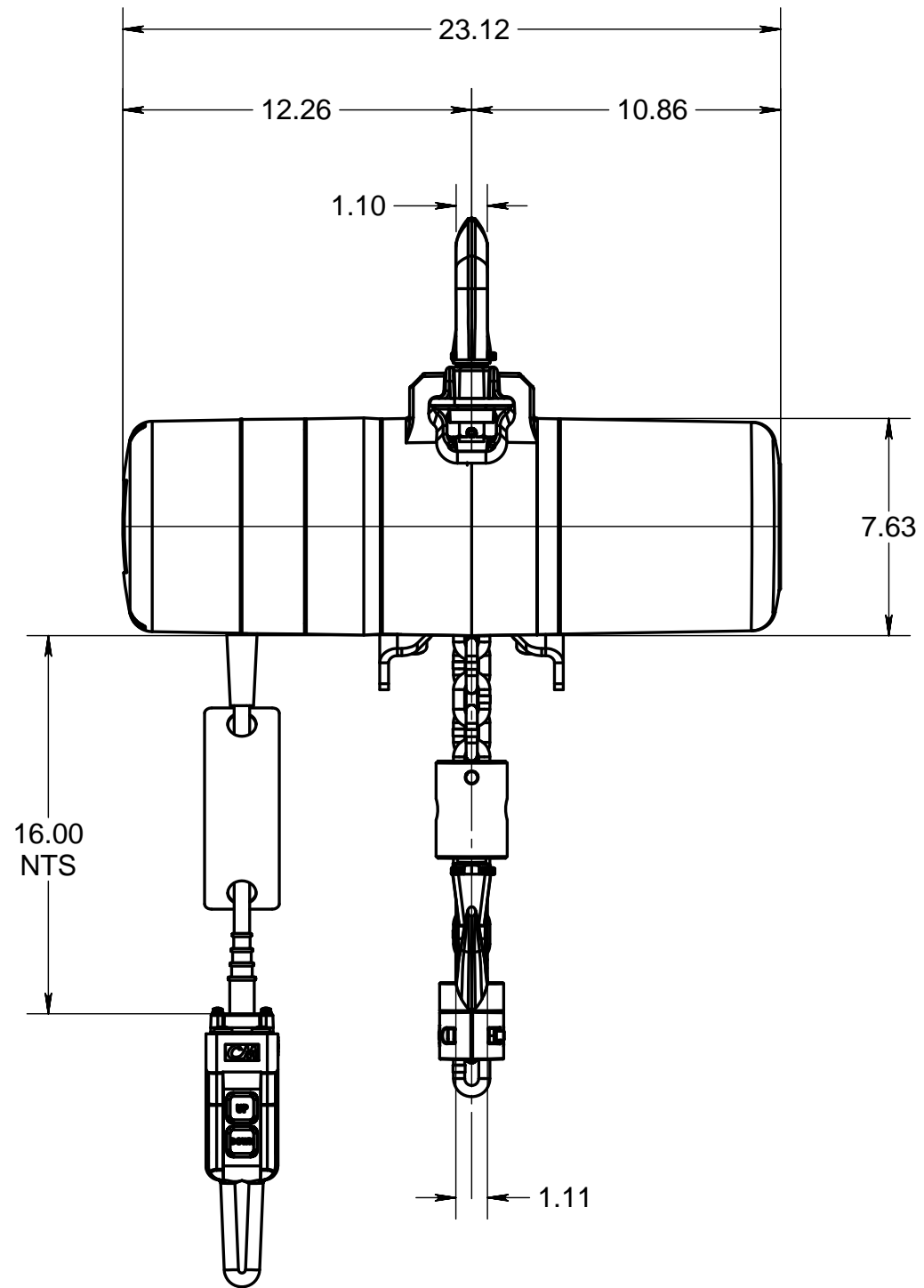
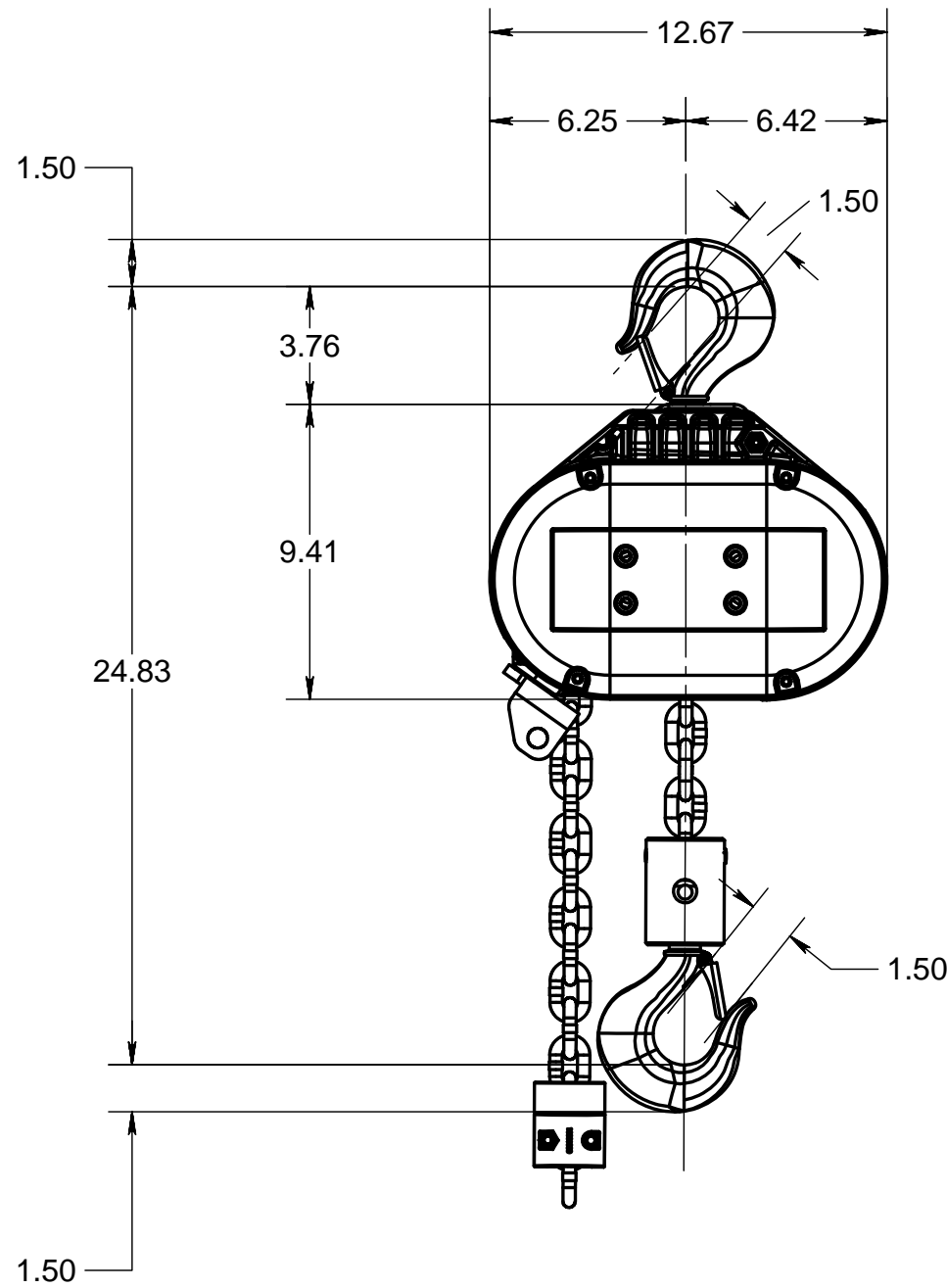
Columbus McKinnon Corporation
 Hoist & Rigging - Americas
 Amherst, NY USA
COLUMBUS MCKINNON CORPORATION

Material:		Description:
Standard:		V2 LODESTAR - DOUBLE REEVED SWIVEL SUSPENSION
Material No:		
Modeled:	10/29/2010 BCG	
Drawn:	10/29/2010 BCG	
Approved:		

Format	Number:	Sheet
B	00001470	1/1

-	-	-	11/29/2011	-	Approved:	
15323	01		11/29/2011	TACD	Design Authority:	DAMASCUS
-	-	-	-	-	Original project:	Hoist PDE
ECN	Rev.	Description of change	Date	By	Original scale:	1:8

Columbus McKinnon Corporation
Amherst, NY USA



NOTICE TO PERSONS RECEIVING THIS DRAWING AND/OR TECHNICAL INFORMATION
 Columbus McKinnon Corporation (CMCO) claims proprietary rights in the material disclosed herein. This drawing and/or technical information is issued in confidence for engineering information only and shall not be reproduced or used to manufacture anything without the express written permission of CMCO. This drawing and/or technical information is loaned for mutual assistance and is subject to recall by CMCO at any time. This drawing and/or technical information is the property of CMCO.

Standard Dimensional Tolerances Unless Otherwise Specified		Dimensional Units INCH	
	0° to 60°	Over 60°	
X	± .020	± .025	 Third Angle Projection
.XX	± .010	± .015	
.XXX	± .005	± .010	
Ang	± 0°30'	± 0°30'	

Columbus McKinnon Corporation
 Hoist & Rigging - Americas
 Amherst, NY USA
COLUMBUS MCKINNON CORPORATION

Material:	
Standard:	
Material No:	
Modeled:	7/10/2014 MSR
Drawn:	7/10/2014 MSR
Approved:	7/10/2014 MSR
Design Authority:	Damascus
Original project:	CAD Data
Original scale:	1:6

Description:
LODESTAR MODEL RRS
 W/SWIVEL LATCH TYPE HOOK

Format	Number:
B	1f-13055

Sheet 1/1

ECN	Rev.	Description of change	Date	By
-	-	-	-	-
-	-	-	-	-
-	-	-	-	-