



Lift Shaft Towers - Single Width

Product Information and Assembly Guide

Lift Shaft Towers

Safety Information

Important

Never use a LEWIS Podium without reading and understanding our Instruction guide. You must follow our instruction guide to ensure your podium is correctly set up.

Always

Carry out a risk assessment for each task before starting, and ensure the LEWIS Podium is the appropriate equipment for your access needs.

Safety Checklist

- Check** the structure of the LEWIS Podium is not dented, cracked, corroded, bowed or bent
- Check** all castors are in working order, and the breaks operate
- Check** all anti surf base plates (if applicable) ensuring no damage/dents or corrosion
- Check** the locking elbow mechanism on the back are operating & locking correctly
- Check** all brace hooks on the podium
- Check** the self-closing gate hinges/springs are operating correctly and are not damaged and free from contaminants
- Check** all welds are not corroded or cracked, ensure they are in good condition

If you are unable to satisfy this check list, do not use the LEWIS Podium

Repairs & Maintenance

- You should not attempt to repair any LEWIS Podiums, without written permission from LEWIS
- Replacement parts are available for purchase
- Should you be in doubt regarding repairs or replacements contact LEWIS.

Do's and Dont's

Do's

1. **Read the instructions**
2. **Inspect before use**
3. **Ensure all components are present and correctly fitted before use**
4. **Face the access when ascending and descending**
5. **Only ascend or descend the Podium using the access provided**
6. **Working platform must be level**
7. **Ensure all breaks are locked e.g. Castor Wheels**
8. **Ensure side protection gate is closed and secure before use**

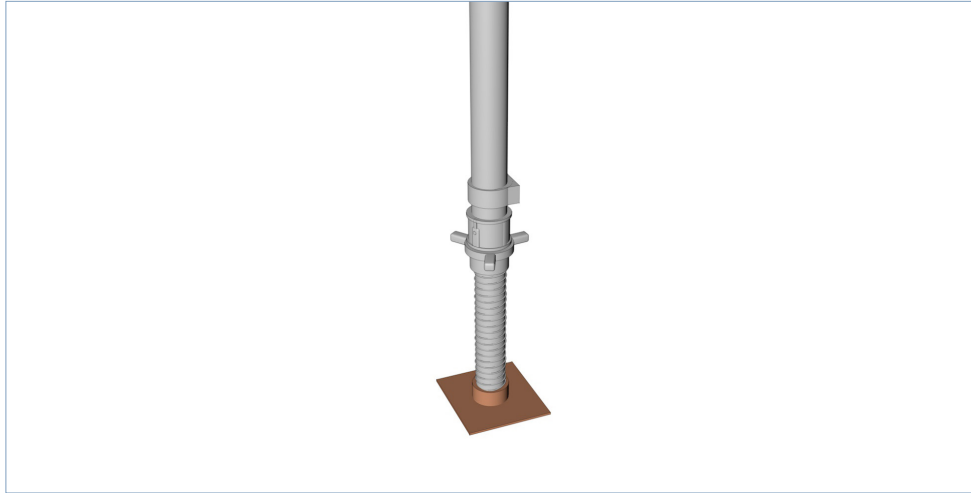
Dont's

1. **Do not use Damaged Equipment**
2. **Never work near power lines or other electrical Equipment**
3. **Beware of finger traps**
4. **Do not transport product using front legs**
5. **Do not overreach**
6. **Do not use on loose or slippery surfaces**
7. **Do not use on sloping or uneven surfaces**
8. **Never stand on the side protection or web beams, extensions or other objects to gain extra height**
9. **Never more than one person**
10. **Never move when a person is standing on a work platform**
11. **Never use as a means of access to another place**
12. **Never stand on the access ladder to work**

Lift Shaft Towers

Note: These step by step instructions apply to 8 Rung Towers and Ladder Towers

1. Lorem ipsum dolor sit amet, consectetur adipiscing elit, sed do eiusmod tempor incididunt ut labore et dolore magna aliqua.



2. Lorem ipsum dolor sit amet, consectetur adipiscing elit, sed do eiusmod tempor incididunt ut labore et dolore magna aliqua.



3. Lorem ipsum dolor sit amet, consectetur adipiscing elit, sed do eiusmod tempor incididunt ut labore et dolore magna aliqua.



4. Lorem ipsum dolor sit amet, consectetur adipiscing elit, sed do eiusmod tempor incididunt ut labore et dolore magna aliqua.



5. Lorem ipsum dolor sit amet, consectetur adipiscing elit, sed do eiusmod tempor incididunt ut labore et dolore magna aliqua.



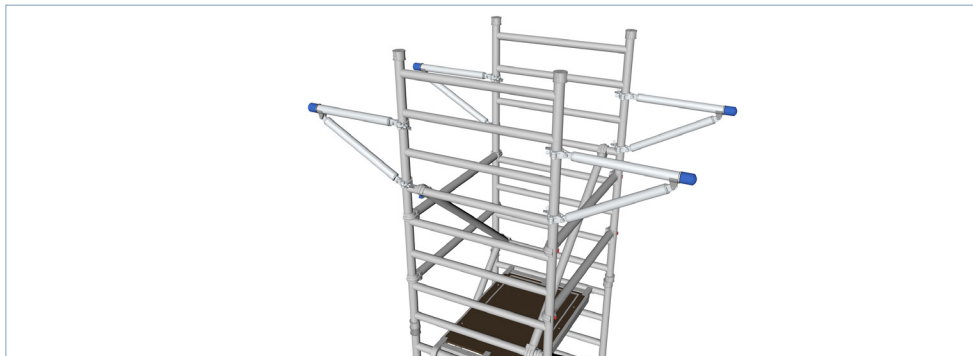
6. Lorem ipsum dolor sit amet, consectetur adipiscing elit, sed do eiusmod tempor incididunt ut labore et dolore magna aliqua.



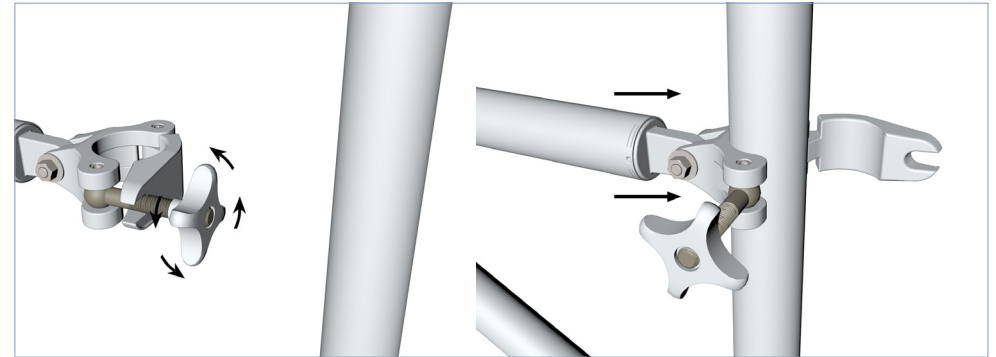
7. Lorem ipsum dolor sit amet, consectetur adipiscing elit, sed do eiusmod tempor incididunt ut labore et dolore magna aliqua.



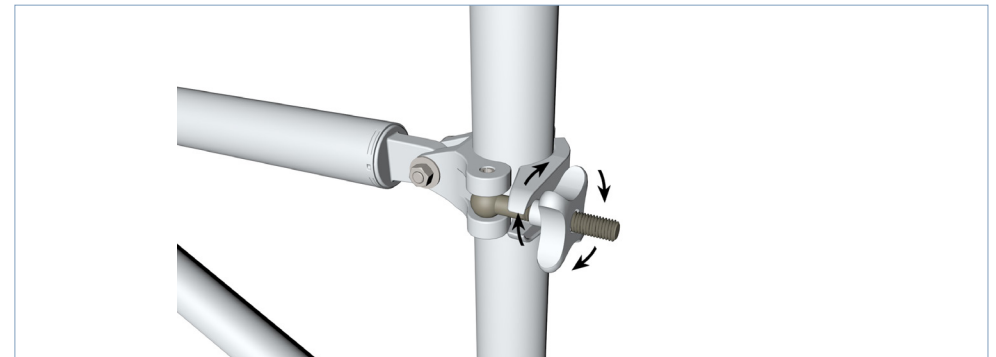
8. Lorem ipsum dolor sit amet, consectetur adipiscing elit, sed do eiusmod tempor incididunt ut labore et dolore magna aliqua.



8A. Lorem ipsum dolor sit amet, consectetur adipiscing elit, sed do eiusmod tempor incididunt ut labore et dolore magna aliqua.



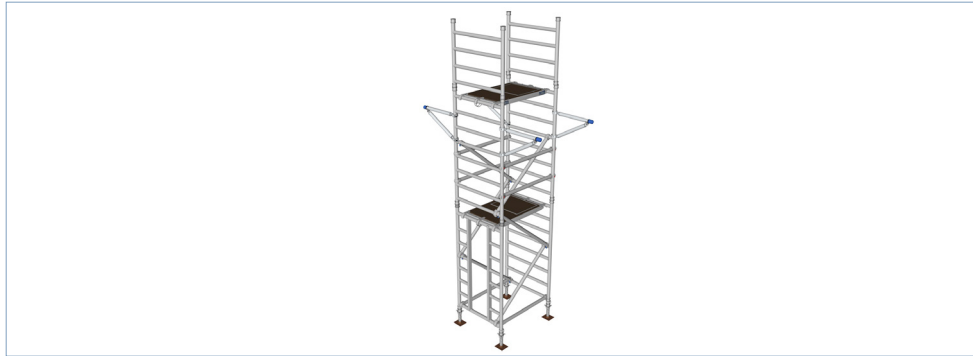
8B. Lorem ipsum dolor sit amet, consectetur adipiscing elit, sed do eiusmod tempor incididunt ut labore et dolore magna aliqua.



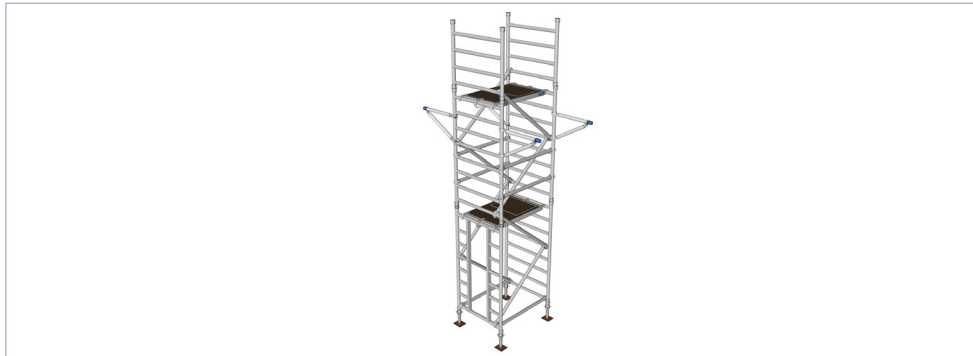
9. Lorem ipsum dolor sit amet, consectetur adipiscing elit, sed do eiusmod tempor incididunt ut labore et dolore magna aliqua.



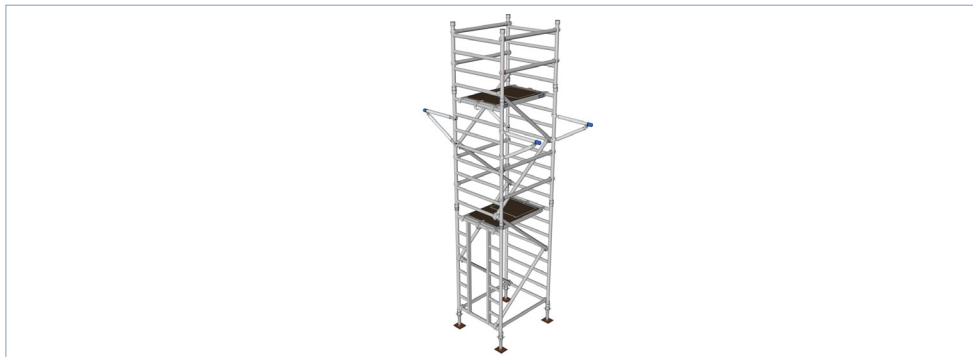
10. Lorem ipsum dolor sit amet, consectetur adipiscing elit, sed do eiusmod tempor incididunt ut labore et dolore magna aliqua.



11. Lorem ipsum dolor sit amet, consectetur adipiscing elit, sed do eiusmod tempor incididunt ut labore et dolore magna aliqua.



12. Lorem ipsum dolor sit amet, consectetur adipiscing elit, sed do eiusmod tempor incididunt ut labore et dolore magna aliqua.



13. Lorem ipsum dolor sit amet, consectetur adipiscing elit, sed do eiusmod tempor incididunt ut labore et dolore magna aliqua.



LEWIS
TOWER SYSTEMS

Further Information

For further information and support please contact us on:

0800 043 2222
info@scaffold-tower.co.uk
www.lewisaccess.co.uk

Unit 1 Bellingham Trading Estate
Fanthorne Way
London
SE6 3BX