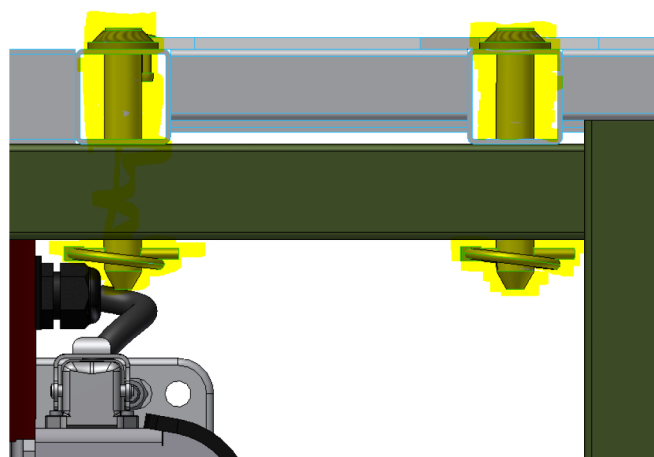
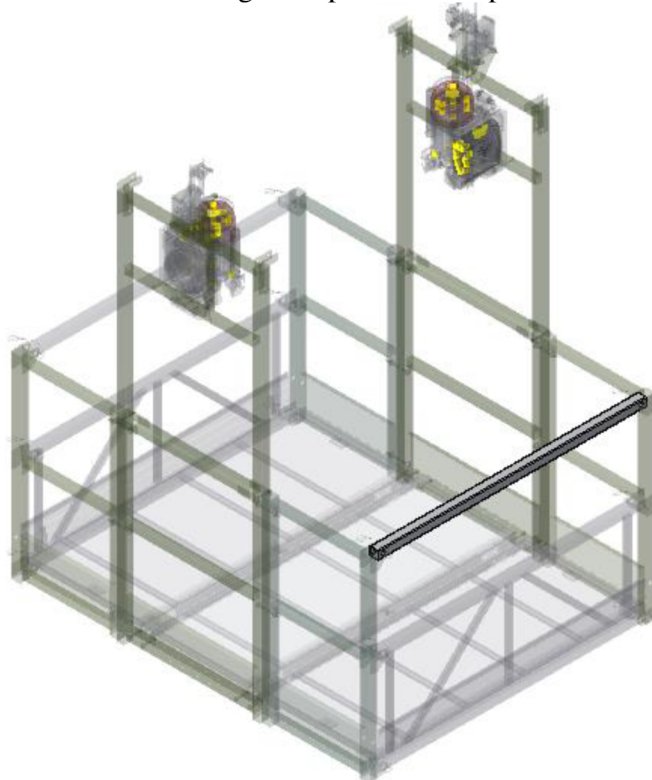
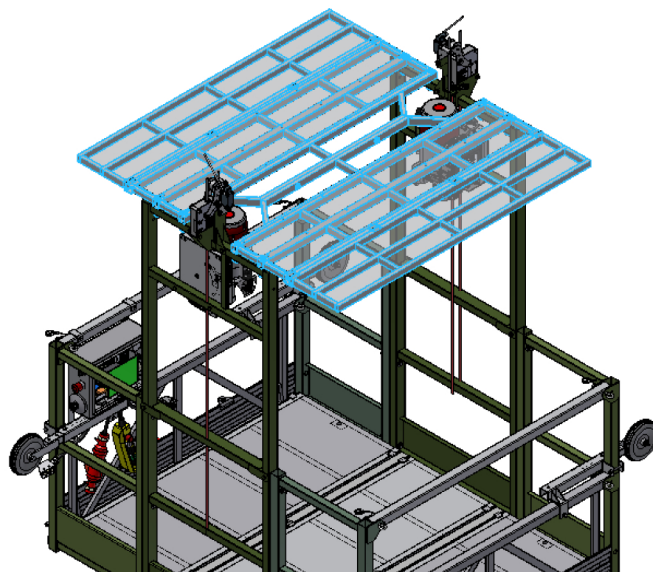


**2.1.1.5 Assembly of ledger strips**

Assemble the 2 ledger strips with 4 or pins.



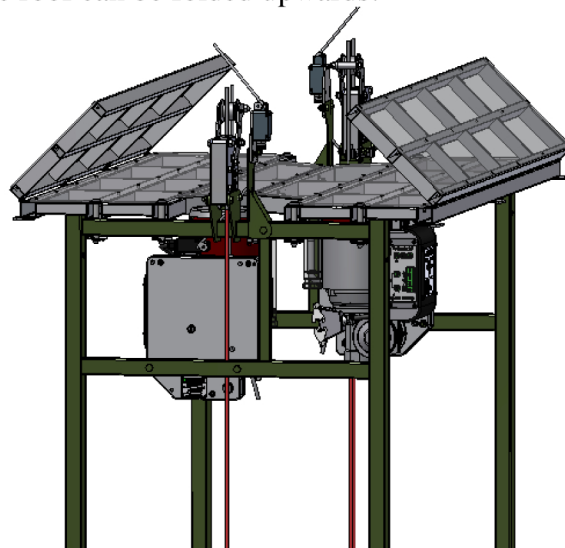
Depending on the width of the platform (W), a part of the roof can be folded upwards.

**2.1.2 Mounting accessories**

**2.1.2.1 Protection roof**

When the site includes falls risks of various products, gravel, etc. it is necessary to add a protective roof. There are 4 models of roof depending on the depth of the shaft:

D (mm)	1048	1453	1603	2103
	Conf. B1	Conf. A2 D2	Conf B3 C3 D3	Conf. AA4 A4 B4 C4 D4
Roof	1050	1450	1600	2100



- Connect the 2 parts of the roof together with HM12x60 bolts
- fit it on the stirrups (2 people)
- secure with the 8 pins.

**2.1.2.2 Support wheels**

Place the support wheels to the 4 corners of the platform, and tighten the M10 bolts: