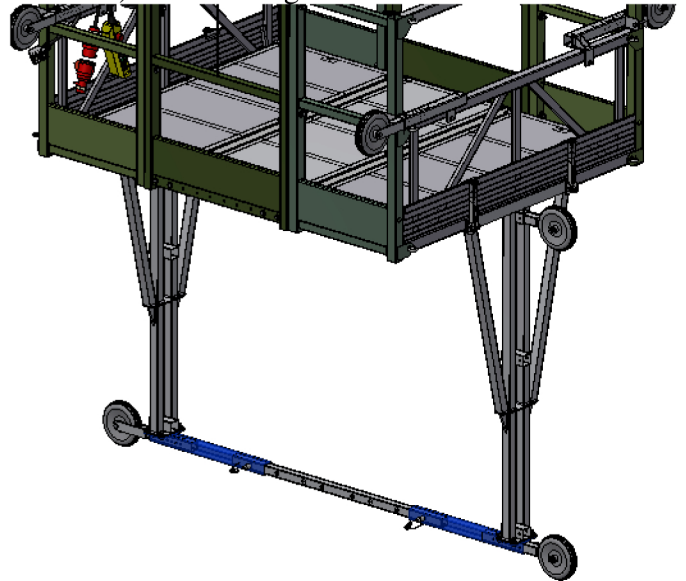


Install and tighten (2 times 4 HM10x30 bolts and locknuts) the bottom guides beam with wheels:



2.1.2.3 Guide along the rails

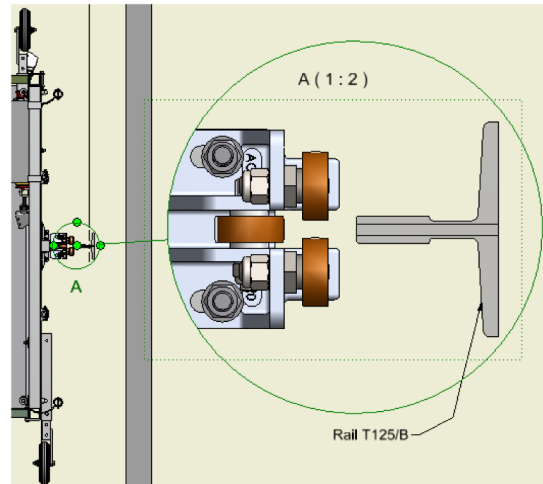
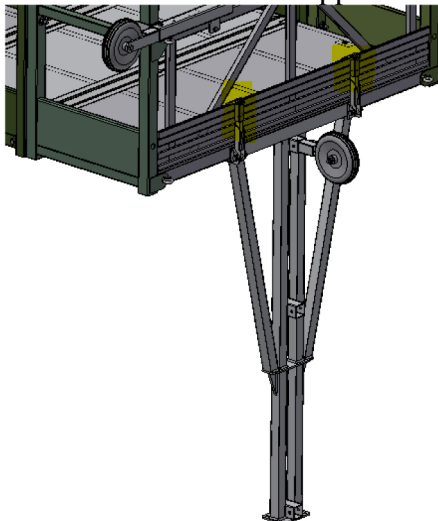
! The electric cabinet and cables must be installed to perform the following operation (see § 2.1.3 and 2.1.4). Raise the platform approximately 1.50m.

The equipment is designed to move along 19mm max T rails:

Adjust as necessary using the 6 indexing holes.

! The electric cabinet and cables must be installed to perform the following operation (see § 2.1.3 and 2.1.4). Raise the platform approximately 1.50m.

Install and tighten the two bottom guides on the baseboards of the site supports



Install and tighten the two bottom guides on the baseboards of the site supports