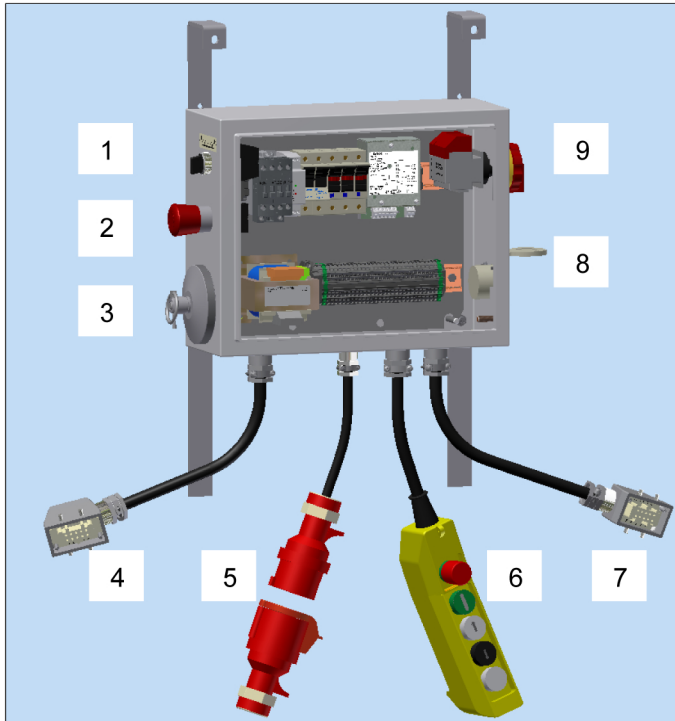


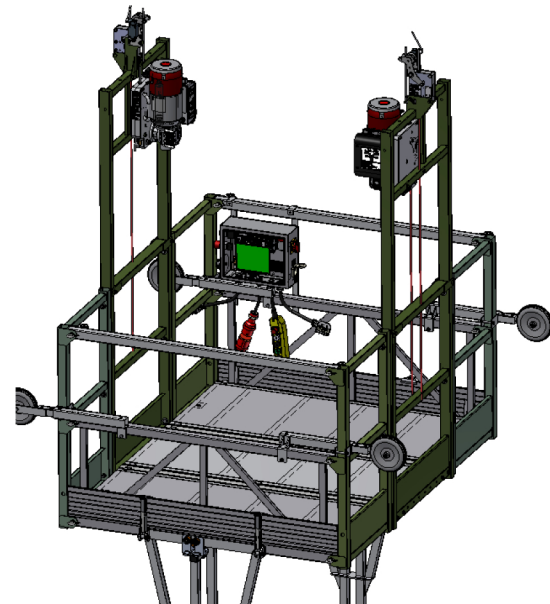
2.1.3.2 Box 3760T or M



- 1 Level button
- 2 Emergency stop
- 3 Hand wheel
- 4 Power and control for left hoist
- 5 Main power (Red: Triphase 400, Blue: Monophase 230)
- 6 4-button box:
"Up / Down / Power / Emergency Stop"
- 7 Power and control for right hoist
- 8 230V-10A single phase socket
- 9 Padlockable Switch / Isolator

2.1.3.2.1 Installation and connection of the cabinet

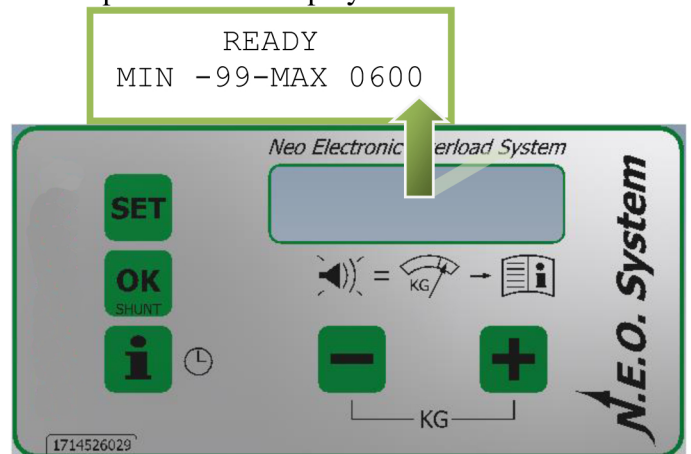
Secure the cabinet on an aluminium ledger strip in the middle of the platform, so that the door opens to the platform interior.



Connect the main power plug - item 5
Connect the hoists to the control box - items 4 and 7

2.1.3.2.2 Commissioning

- Unlock the isolator switch if necessary - item 9
- Unlock the Emergency stops if necessary - item 2 and item 6
- Press the power button - item 6
- Electronic overload of the hoists requires 2-3 seconds to initialise. Under normal (factory) operation this displays:



Your equipment is ready for operation by pressing the UP or DOWN buttons - item 6.

If the hoists do not work, verify that the following safeguards are not activated:

- Phase sequence controller (for the three-phase version) it is possible to change the order directly without taking the socket apart: