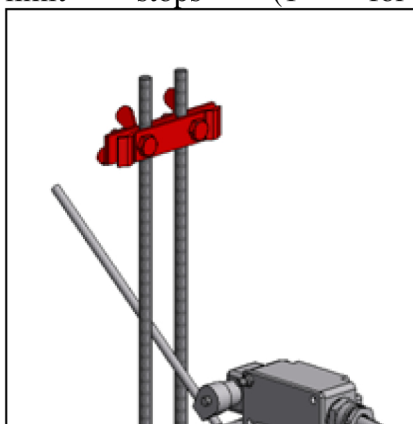


To remove the safety cable:

- Place the platform on the ground
- Remove the counterweight
- Slightly tighten the hoist cable or push the lever on the SECURISTOP
- slowly pull the cable up

After installing the cables, adjust the position of the limit stops (1 for each hoist)



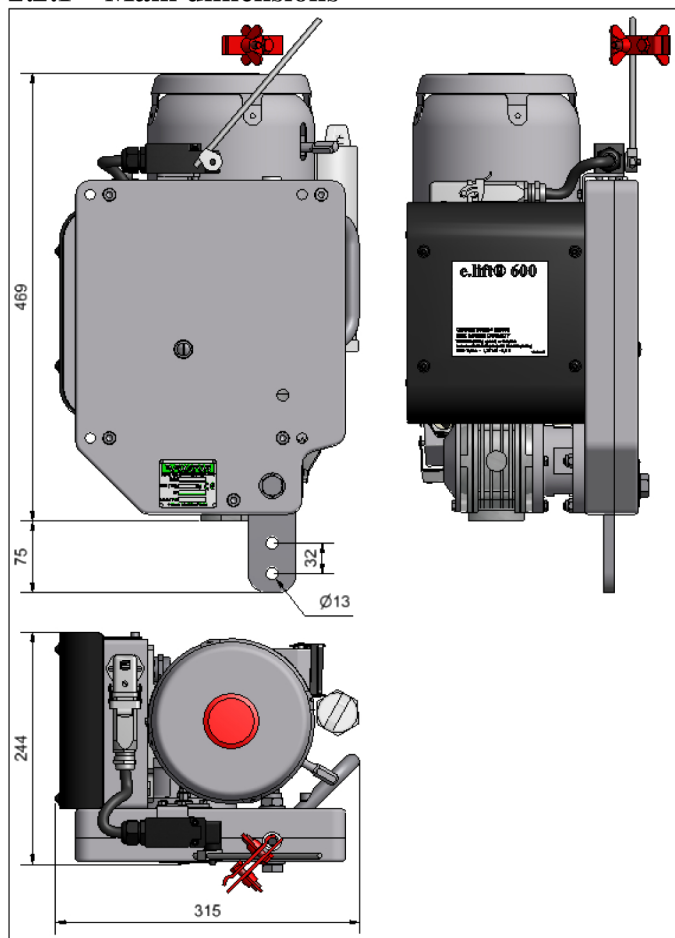
2.2 Diagrams and safety explanations



Installation and use operations must be performed by personnel specially trained by the manufacturer or its dealers, duly authorised by their employer.

The maximum capacity of the hoist (WLL) should be the basis for calculations of anchor strength.

2.2.1 Main dimensions



See appendix for detailed dimensions of each configuration.

2.2.2 Safety devices

2.2.2.1 In the hoist

- A main brake is applied to the motor in case of power supply failure
- An electromechanical load controller, with a buzzer, cuts the lifting and lowering movements in the event of overload of the platform or snagging of the platform (does not exist on the versions TX outside the EC).
- An upper limit switch sensor stops lifting when the rod touches the top stop.
- An "off course" sensor cuts the main switch.
- Option: a lack of load (cable slack) detector cuts off lowering movement when the cable is not taut. This option can only be activated in the factory. In this case, pressing the "OK / shunt" button on the hoist forces the descent or the cable removal