

### 1.6 Recommendations for use and general safety



- Before using this equipment, ensure:
- that you read and understand this entire manual
  - that no obstacles will obstruct the required motion
  - that the periodic inspection has been performed and recorded,
  - that the hardware is stable
  - the load or machine movements will not trap or crush you
  - you can communicate with help in case of need,
  - that you have adequate lighting
  - a fire extinguisher is available on your platform (not supplied by Fixator),



- For temporary platforms, ensure:
- every day correct operation of mechanisms, brakes, safety blocks and emergency stop
  - periodically the electrical cables, limit switches, structural elements and wire ropes
  - safety of the suspension structure, and in particular ensure no counterweight has been removed,
  - the platform is vertical to the fastening system
  - there is no accumulation of snow, ice, debris or materials on the platform,
  - that there are no obstructions in the shaft or on the façade
  - at the end of work, that the deactivation is complete.

If you are using Personal Protective Equipment (PPE) make sure their characteristics (load, operating temperature, maintenance, etc) comply with use

See also § contraindications 2.6

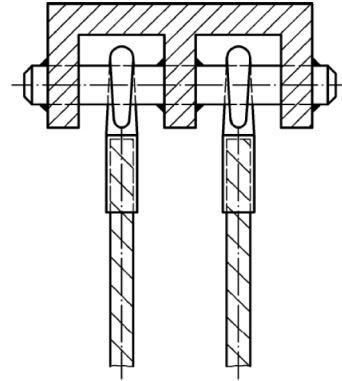
If there is risk of falling material during use, the roof must be installed.

### 1.7 Anchoring

If the anchoring is not provided each anchor must withstand, without any deformation, up to 3 times the WLL of the winch, that is 1800 kg, and remain stable when subjected to this load.

Separate suspension points must be provided for the hoisting cable and safety cable.

Anchoring diagram (excerpt EN1808)



To install recommended anchors, refer to the instructions:

U floor anchor: see appendix.

Parapet bracket 800kg: see 1813000124

Suspension beams:

FIXAPOUTRE see 1813000035

FIXAPOUTRE S see 1813000054

### 1.8 Guiding the platform along a shaft

For platforms working at a height greater than 40 m and with a risk of wind, a guide system must be installed.

We recommend attaching any guide cables to the building, and never to the anchors of the platform or suspended cradle.

## 2 Installation and Use

### 2.1 Instructions for installation, assembly, commissioning and use - training

Suspended shaft platforms consist of 1, 1.35, 1.5 and 2 metre modular elements, allowing the various dimensions shown in table § 1.4.

Installation and use operations must be performed by personnel specially trained by the manufacturer or its dealers, duly authorised by their employer.

#### 2.1.1 Installation and assembly of platform modules

This operation must be carried out on the ground, at the bottom of shaft or on a sufficiently strong intermediate floor.