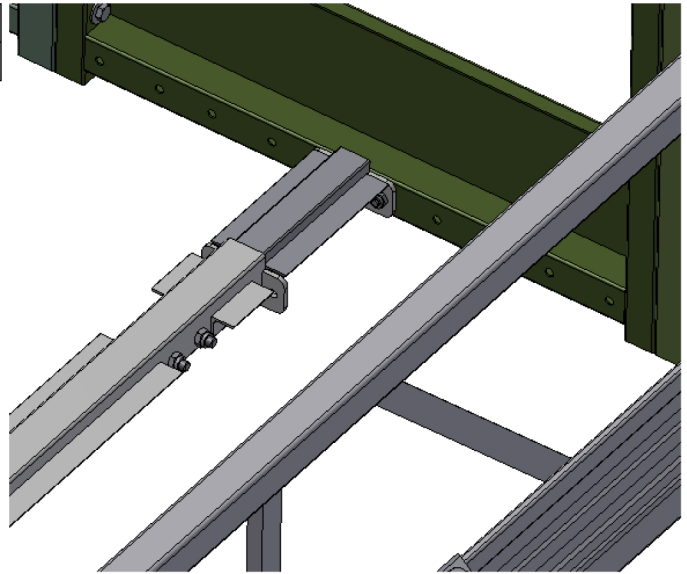
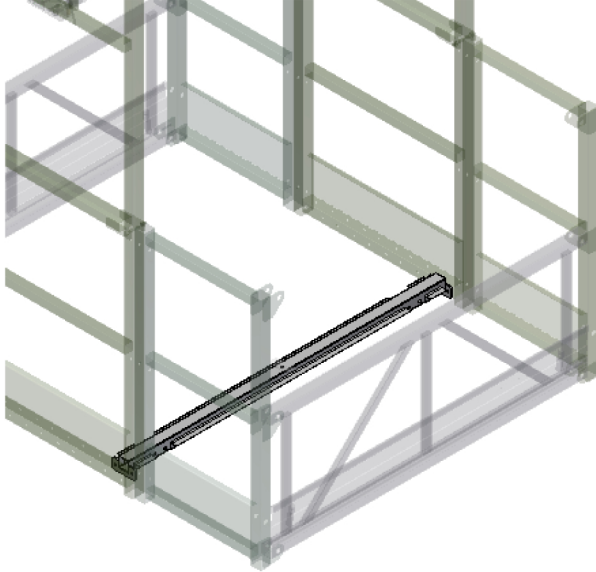
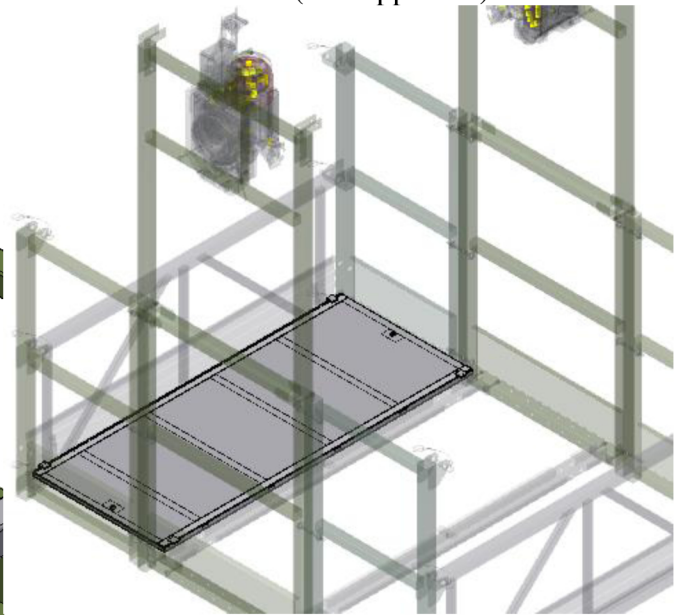
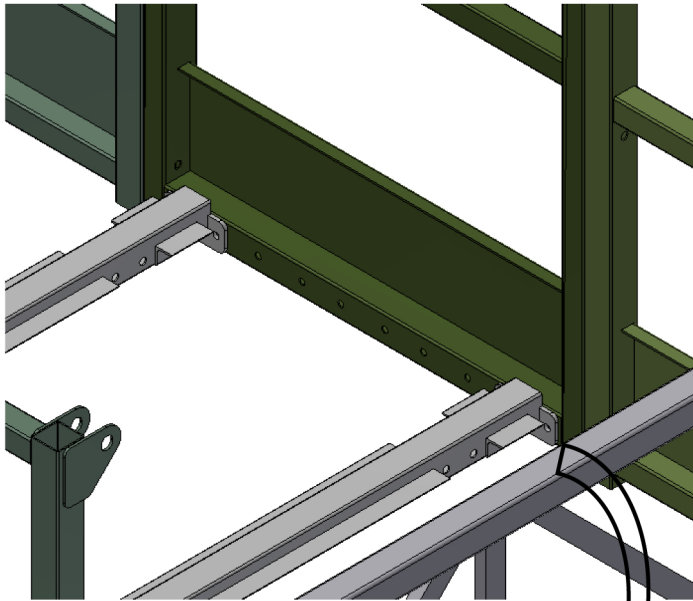


		ns		ns
Deck	1m	1m35	1m50	2m

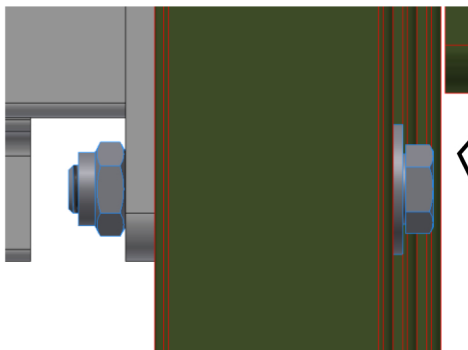
(See also Appendix for the number of beams)  
Assemble with 4 HM 10x70 bolts + M10 lock nuts  
+ 4 L10 washers for each beam.



Then install Modulaho flooring and / or intermediate elements (see Appendix):



Check the attachment of each flooring element:



To add extensions:

